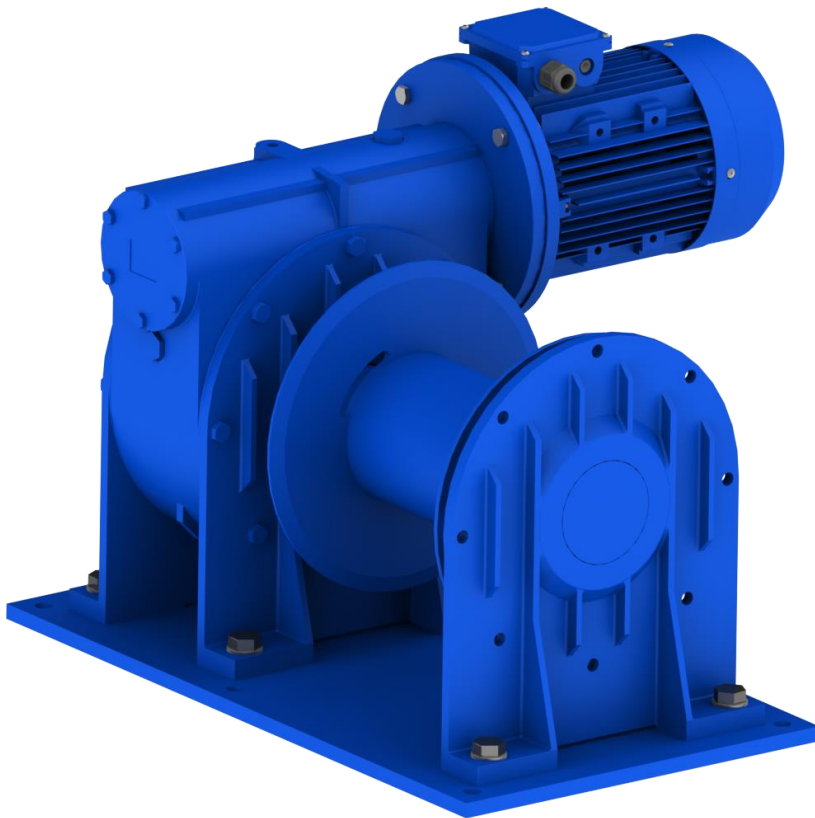


## The series LM-EW electric worm wheel winches



The LM-EW electric worm wheel winch  
A versatile winch for pulling  
applications



Canadaweg 8 | 4661 PZ Halsteren | The Netherlands  
Phone: +31 (0)164-680097 | Fax: +31 (0)164-681971  
e-mail: [info@lemans-nederland.eu](mailto:info@lemans-nederland.eu)

[www.lemans-nederland.nl](http://www.lemans-nederland.nl)

Standard build with high quality industrial worm wheel gearbox. Available in many varieties for pulling applications. We are able to offer you many options as listed below. Below types are a small and general spectrum of what we can offer in these types of winches.

Please inform us your requirement.

### Standard features

- High quality industrial worm wheel gearbox
- Voltage 400V 50Hz
- Protection IP55
- Oil filled
- 2-component paint system 150µm RAL 5002

### Available options

- Galvanized drum guard €€
- Limit switch €€
- Brake motor
- Grooved drum
- Protection IP56 / T.E.N.V. marine execution
- Atex motor
- Band brake / free spool clutch
- Alternative voltages
- Various motor options
- Pressure roller
- Slack wire switch
- Wire rope
- Alternative dimensions
- Alternative speed / pulling force

### Available controls

- D.O.L. Control Box IP65 with push buttons or pendant control with 5mtr cable acc. To NEN 1010
- Frequency inverter control
- brake resistor
- Wireless radio remote control

## Technical specifications

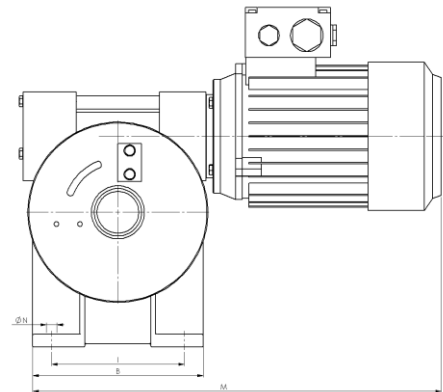
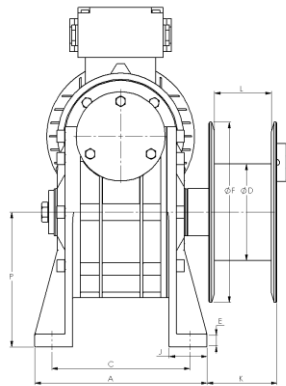
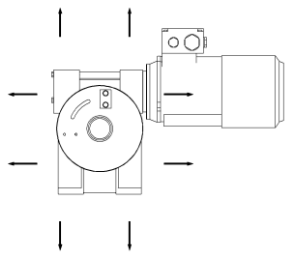
### The Series LM-EW specifications

| Winch type | W.L.L. Pull<br>1 <sup>st</sup> Layer | Speed                 |                       | Recomm.<br>rope diam. | Drum cap.<br>5 <sup>th</sup> layer | 400V<br>S2 | Weight |
|------------|--------------------------------------|-----------------------|-----------------------|-----------------------|------------------------------------|------------|--------|
|            |                                      | 1 <sup>st</sup> layer | 5 <sup>th</sup> Layer |                       |                                    |            |        |
| LM-EW 250  | 250 kg                               | 8 mtr/min             | 12 mtr/min            | Ø6 mm                 | 20,5 mtr                           | 0,55 kW    | 27 kg  |
| LM-EW 500  | 500 kg                               | 8 mtr/min             | 12 mtr/min            | Ø6 mm                 | 20,5 mtr                           | 1,1 kW     | 42 kg  |
| LM-EW 750  | 750 kg                               | 5 mtr/min             | 7 mtr/min             | Ø6 mm                 | 20,5 mtr                           | 1,1 kW     | 45 kg  |
| LM-EW 1000 | 1000 kg                              | 6 mtr/min             | 9,5 mtr/min           | Ø8 mm                 | 41 mtr                             | 1,5 kW     | 98 kg  |
| LM-EW 1250 | 1250 kg                              | 6 mtr/min             | 9,5 mtr/min           | Ø8 mm                 | 41 mtr                             | 2,2 kW     | 103 kg |
| LM-EW 1750 | 1750 kg                              | 6 mtr/min             | 9,5 mtr/min           | Ø10 mm                | 53 mtr                             | 3 kW       | 155 kg |
| LM-EW 2250 | 2250 kg                              | 7 mtr/min             | 11,5 mtr/min          | Ø12 mm                | 67 mtr                             | 4 kW       | 205 kg |
| LM-EW 2800 | 2800 kg                              | 8 mtr/min             | 13 mtr/min            | Ø14 mm                | 77 mtr                             | 5,5 kW     | 290 kg |

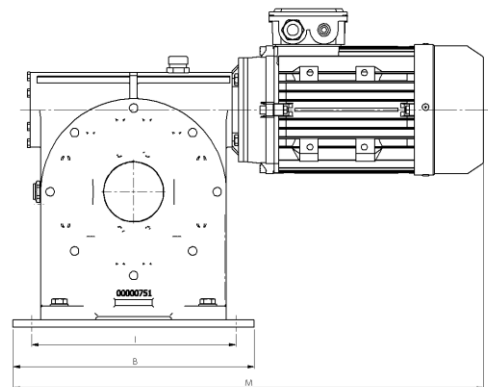
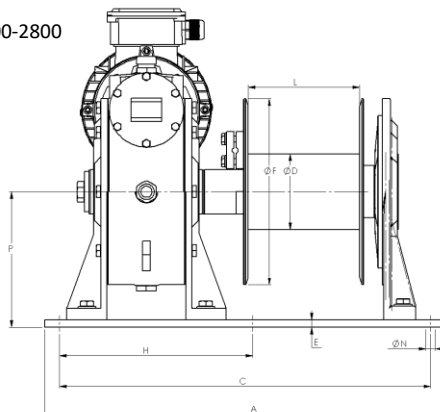
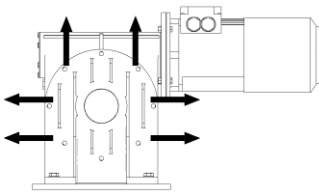
### The Series LM-EW dimensions (mm)

| Winch type | A   | B   | C     | D   | E  | F   | H   | I   | K  | L   | M   | N  | P    | S   |
|------------|-----|-----|-------|-----|----|-----|-----|-----|----|-----|-----|----|------|-----|
| LM-EW 250  | 141 | 156 | 115   | 102 | 12 | 190 | -   | 120 | 74 | 60  | 404 | 11 | 140, | 185 |
| LM-EW 500  | 182 | 180 | 145,8 | 102 | 13 | 190 | -   | 140 | 74 | 60  | 442 | 11 | 142  | 222 |
| LM-EW 750  | 182 | 180 | 140   | 102 | 13 | 190 | -   | 146 | 74 | 60  | 445 | 11 | 142  | 222 |
| LM-EW 1000 | 540 | 325 | 500   | 102 | 10 | 250 | 329 | 275 | -  | 150 | 583 | 13 | 182  | 292 |
| LM-EW 1250 | 540 | 325 | 500   | 102 | 10 | 250 | 334 | 275 | -  | 150 | 634 | 13 | 182  | 292 |
| LM-EW 1750 | 640 | 370 | 600   | 121 | 15 | 280 | 426 | 320 | -  | 200 | 657 | 17 | 215  | 345 |
| LM-EW 2250 | 720 | 410 | 670   | 146 | 15 | 320 | 449 | 360 | -  | 250 | 707 | 17 | 245  | 395 |
| LM-EW 2800 | 850 | 440 | 800   | 159 | 20 | 370 | 514 | 380 | -  | 300 | 805 | 22 | 280  | 455 |

MT-EW 250-750



MT-EW 1000-2800



Canadaweg 8 | 4661 PZ Halsteren | The Netherlands  
 Phone: +31 (0)164-680097 | Fax: +31 (0)164-681971  
 e-mail: info@lemans-nederland.eu

[www.lemans-nederland.nl](http://www.lemans-nederland.nl)