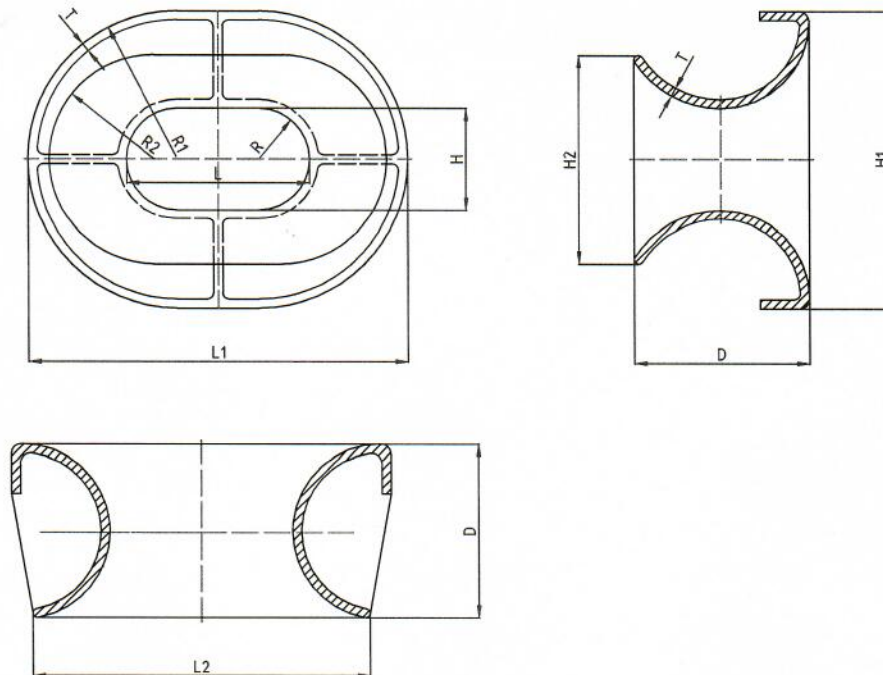


# PANAMA CHOCK ISO13729:2012 TYPE B BULWARK MOUNTED



Material: Cast steel ZG230-450 (or equivalent)

Standard finishing: shot blasted, 1 layer of shop primer

Nominal Size L x H x D	L1	L2	H1	H2	R	R1	R2	T	SWL (T)	Weight (kg)
250x200x214	516	441	466	306	100	233	153	12	23	49
300x250x286	638	554	588	410	125	294	205	16	43	100
350x250x333	736	646	636	449	125	318	224,5	18	56	141
400x250x381	834	736	684	450	125	342	225	20	70	184
450x250x381	884	786	684	450	125	342	225	20	72	194
500x250x381	934	836	684	450	125	366	225	20	78	202
400x250x428	882	778	732	515	125	366	257,5	22	90	264
450x250x428	932	828	732	515	125	366	257,5	22	93	276
500x250x428	982	878	732	515	125	366	257,5	22	95	288
500x400x428	982	878	882	665	200	441	332,5	22	91	311
500x250x525A	1078	976	828	551	125	414	275,5	24	117	379
500x400x525A	1078	978	978	701	200	489	350,6	24	118	408
500x250x525B	1078	976	828	554	125	414	277	26	144	405
500x400x525B	1078	978	978	704	200	489	352	26	141	442

Dimensions in mm, alterations may occur



Lemans Nederland B.V.  
Canadaweg 8  
4661 PZ Halsteren  
The Netherlands

Tel.: +31(0) 164 680097  
Fax: +31(0) 164 681971  
E-mail: [info@lemans-nederland.eu](mailto:info@lemans-nederland.eu)  
Website: [www.lemans-nederland.nl](http://www.lemans-nederland.nl)