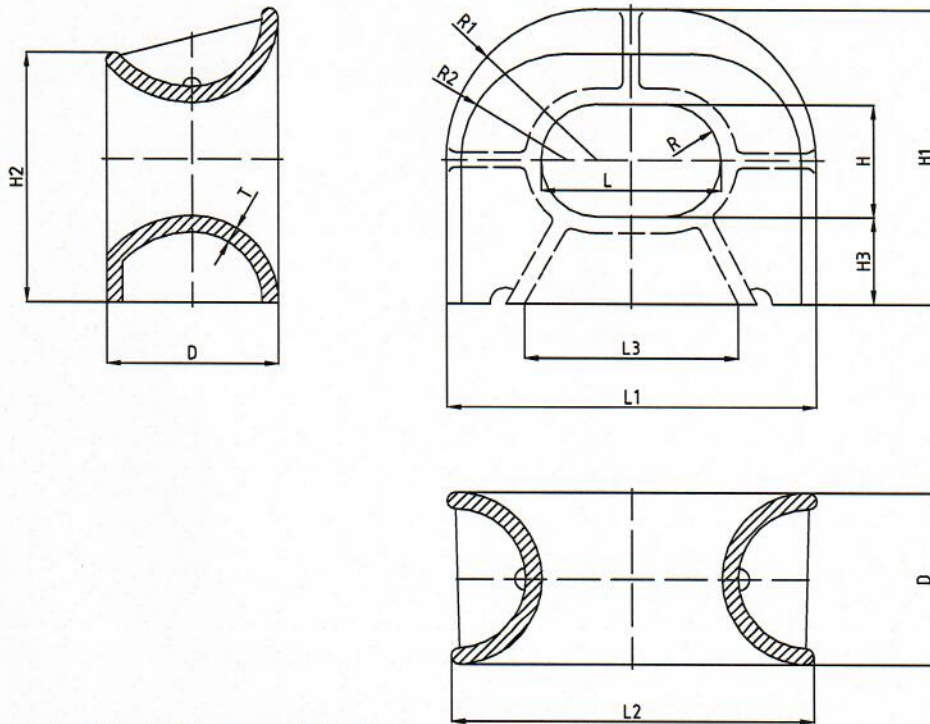


PANAMA CHOCK ISO13729:2012 TYPE A DECK MOUNTED



Material: Cast steel ZG230-450 (or equivalent)
Standard finishing: shot blasted, 1 layer of shop primer

| Nominal Size L x H x D | L1 | L2 | L3 | H1 | H2 | H3 | R | R1 | R2 | T | SWL (T) | Weight (kg) |
|---------------------------|------|------|-----|-----|-----|-----|-----|-----|-----|----|------------|----------------|
| 250x200x214 | 488 | 453 | 265 | 427 | 368 | 108 | 100 | 219 | 160 | 22 | 23 | 73 |
| 300x250x286 | 614 | 565 | 330 | 551 | 481 | 144 | 125 | 282 | 212 | 26 | 43 | 142 |
| 350x250x333 | 716 | 660 | 403 | 601 | 525 | 168 | 125 | 308 | 232 | 30 | 56 | 222 |
| 400x250x381 | 820 | 754 | 475 | 652 | 553 | 192 | 125 | 335 | 236 | 36 | 70 | 310 |
| 450x250x381 | 870 | 804 | 524 | 652 | 553 | 192 | 125 | 335 | 236 | 36 | 72 | 322 |
| 500x250x381 | 920 | 854 | 574 | 652 | 553 | 192 | 125 | 335 | 236 | 36 | 78 | 337 |
| 400x250x428 | 870 | 796 | 500 | 701 | 609 | 216 | 125 | 360 | 268 | 38 | 90 | 434 |
| 450x250x428 | 920 | 846 | 550 | 701 | 609 | 216 | 125 | 360 | 268 | 38 | 93 | 452 |
| 500x250x428 | 970 | 896 | 600 | 701 | 609 | 216 | 125 | 360 | 268 | 38 | 95 | 472 |
| 500x400x428 | 970 | 896 | 600 | 851 | 759 | 216 | 200 | 435 | 343 | 38 | 91 | 528 |
| 500x250x525A | 1068 | 1000 | 652 | 798 | 675 | 264 | 125 | 409 | 286 | 40 | 117 | 657 |
| 500x400x525A | 1068 | 1000 | 652 | 948 | 825 | 264 | 200 | 484 | 361 | 40 | 118 | 724 |
| 500x250x525B | 1074 | 1000 | 652 | 801 | 680 | 264 | 125 | 412 | 291 | 46 | 144 | 753 |
| 500x400x525B | 1074 | 1000 | 652 | 951 | 830 | 264 | 200 | 487 | 366 | 46 | 141 | 825 |

Dimensions in mm, alterations may occur



Lemans Nederland B.V.
Canadaweg 8
4661 PZ Halsteren
The Netherlands

Tel.: +31(0) 164 680097
Fax: +31(0) 164 681971
E-mail: info@lemans-nederland.eu
Website: www.lemans-nederland.nl