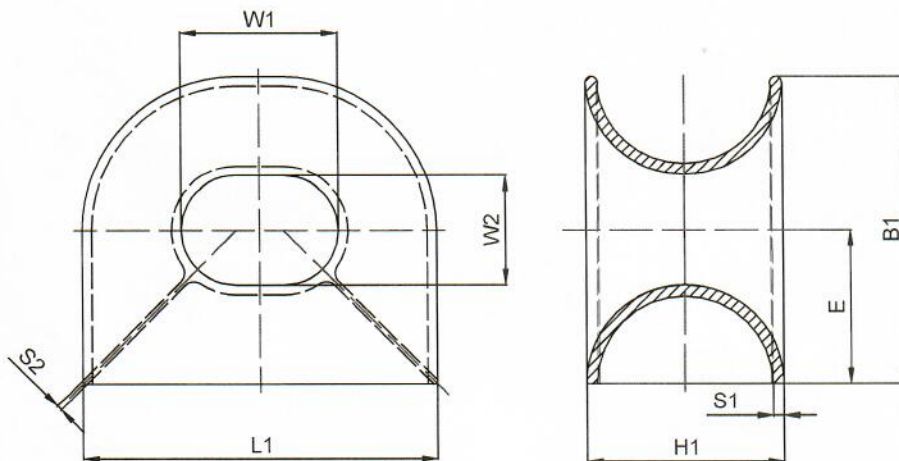


PANAMA CHOCK, DECK MOUNTED DIN81915 TYPE C



Material: Cast steel ZG230-450 (or equivalent)

Standard finishing: shot blasted, 1 layer of shop primer

Type	Pull Force (kN)	E	B1	H1	L1	S1	S2	W1	W2	Weight (kg)
C2	20	158	315	200	360	12	6	160	115	29
C3	30	195	390	250	450	14	7	200	140	48
C5	50	240	480	300	550	16	8	250	180	85
C8	80	293	585	360	680	18	9	320	225	136
C12	120	355	710	440	840	20	10	400	270	211
C20	200	420	840	520	1020	22	11	500	320	325
C32	320	550	1100	700	1300	35	20	600	400	840

Dimensions in mm, alterations may occur



Lemans Nederland B.V.
Canadaweg 8
4661 PZ Halsteren
The Netherlands

Tel.: +31(0) 164 680097
Fax: +31(0) 164 681971
E-mail: info@lemans-nederland.eu
Website: www.lemans-nederland.nl