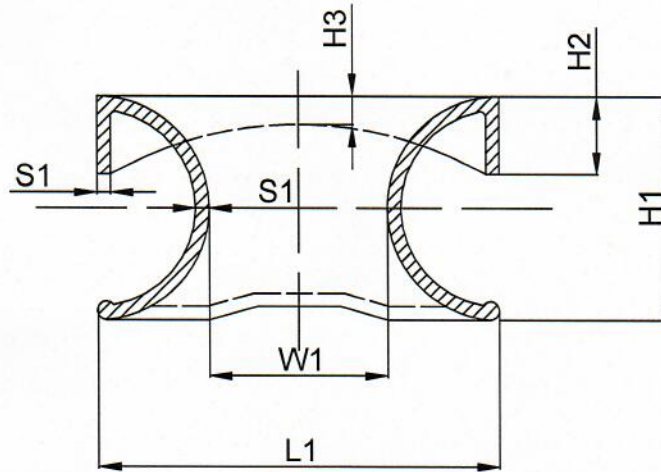
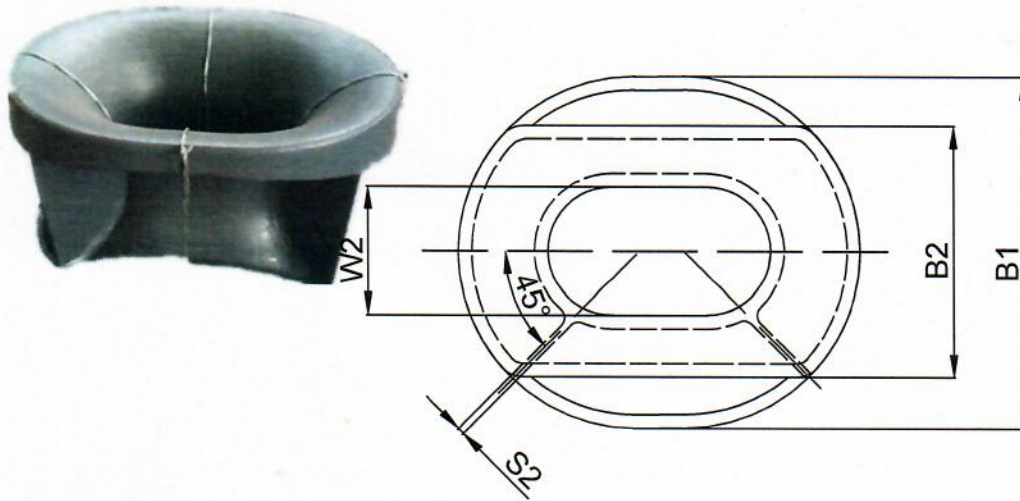


PANAMA CHOCK, BULWARK MOUNTED DIN81915 TYPE A



Material: Cast steel ZG230-450 (or equivalent)

Standard finishing: shot blasted, 1 layer of shop primer

Type	Pull Force (kN)	B1	B2	H1	H2	H3	L1	S1	S2	W1	W2	Weight (kg)
A2	20	315	225	200	70	25	360	12	6	160	115	26
A3	30	390	275	250	75	32	450	14	7	200	140	42
A5	50	480	340	300	80	38	550	16	8	250	180	74
A8	80	585	415	360	90	45	680	18	9	320	225	120
A12	120	710	500	440	110	55	840	20	10	400	270	185
A20	200	840	595	520	130	65	1020	22	11	500	320	285
A32	320	1100	800	700	150	80	1300	35	20	600	400	795

Dimensions in mm, alterations may occur



Lemans Nederland B.V.
Canadaweg 8
4661 PZ Halsteren
The Netherlands

Tel.: +31(0) 164 680097
Fax: +31(0) 164 681971
E-mail: info@lemans-nederland.eu
Website: www.lemans-nederland.nl