

## DYNAMOMETER 04 TX/RX

Complete with plastic case, manual and calibration certificate.



### Mechanical properties

- Anodized aluminum housing.
- Electric class of protection: IP 65.
- Overload indication at 10% overload.
- Test load: 2 x measurement limit.
- Safety factor: 5 x measurement limit.

### Electric specifications

- Power supply: rechargeable battery.
- Battery charger: input 230Vac, output 20Vdc.
- Operating time: up to 100 hours.

### Electronic specifications

- 5-digit LCD display, 17 mm digit height.
- Ambient temperature: -10°C to +55°C.
- Accuracy: appr. 0.15 % of the displayed value.

### RX-PORT electrical specifications

- Dry batteries (3 x type AA).
- Operating time appr up to 150 hours.
- Battery voltage indicator.

### RX-PORT electronic specifications

- 5-digit LCD display, 12 mm digit height.
- 433,92 MHz data transmission frequency setting.
- Ambient temperature range: -5°C to +55°C.
- RS232 port for printer or PC connection.

### TX-LOAD electric specifications

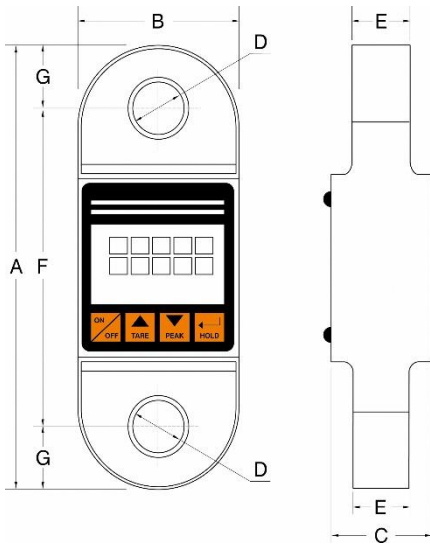
- Data transmission range: max 50m.

### TX-LOAD electronic specifications

- 433,92 MHz Data transmission frequency setting.

### Option

- Bow shackle >10 Ton



Type	IMPA-Nr.	SWL (kg)	Resolution (kg)	A (mm)	B (mm)	C (mm)	D (mm)	E (mm)	F (mm)	G (mm)	Bow shackle (t)	Weight (kg)
DSD04-05TX/RX	650101	5000	2	232	85	54	27	32	168	32	6.50 incl.	1.85
DSD04-10TX/RX	650101	10000	5	315	100	59	39	49	203	56	12.00 excl.	3.6
DSD04-25TX/RX	650101	25000	10	350	126	70	55	70	210	70	25.00excl.	7.0
DSD04-50TX/RX	650101	50000	20	450	165	98	77	98	260	95	55.00 excl.	17.0