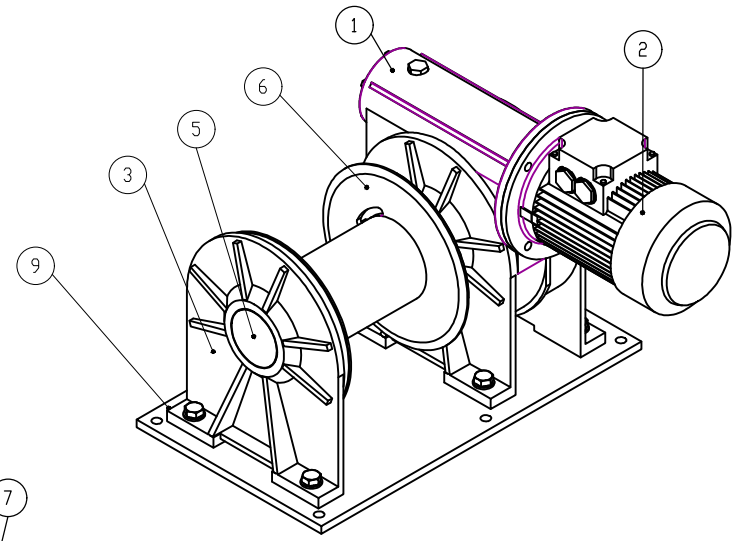


W.L.L. 1st Layer (Pulling)	2250 kg ( $\phi 12\text{mm}$ )
Speed 1st Layer	7 mtr/min
Speed 5th Layer	11 mtr/min
Cable diameter	$\phi 12\text{mm}$
Drum capacity 1st Layer	10 mtr
Drum capacity 5th Layer	67 mtr
Electric motor	4kW-S2
Voltage	400V / 50Hz
Protection	IP55



ITEM NO.	Default/ QTY.	PART	DESCRIPTION	DIMENSIONS	MAT.
1	1	RMI150S100B5	Wormgearbox		
2	1	IEC100-4	Electromotor	--	--
3	1	RMI150S	RMI150S Foot	--	--
4	1	6216-2RS	Bearing	140x80x26	--
5	1	VK100	Cover	$\phi 100$	--
6	1	LM-EW-2250-10	Weld assembly drum		--
7	1	LM-EW-2250-02	Ring	75x6	C45
8	1	LM-EW-2250-01	Strip 30x10	50x30x10	S235
9	1	LM-EW-2250-03	Baseplate	410x710x15	S235
10	6	Washer DIN 125 - A 19			
11	6	DIN EN 24017 - M18 x 35-N			

REV.	A	EW	MM	DESCRIPTION	DATE
REV.	DRAWN	CHECKED			
Remarks:				Scale = 1:6	Mass = -- Kg.
				Dimensions:	
Not marked measurements by ISO 2768-M		Material		Name	
05 until 3	±0.1	120 until 400	±0.5	Winch LM-EW2250	
3 until 6	±0.15	400 until 1000	±0.8		
6 until 30	±0.2	1000 until 2000	±1.2		
30 until 120	±0.3	2000 until 4000	±2.0		
The information this drawing contains are reserved to Lemans Nederland B.V. Any way of reproduction without written permission is not allowed.				Drawingnr. LM-EW-2250-00	
www.lemans-nederland.nl				Sheet 01	
				Projectnr. LM-EW2250	
				Stage:	