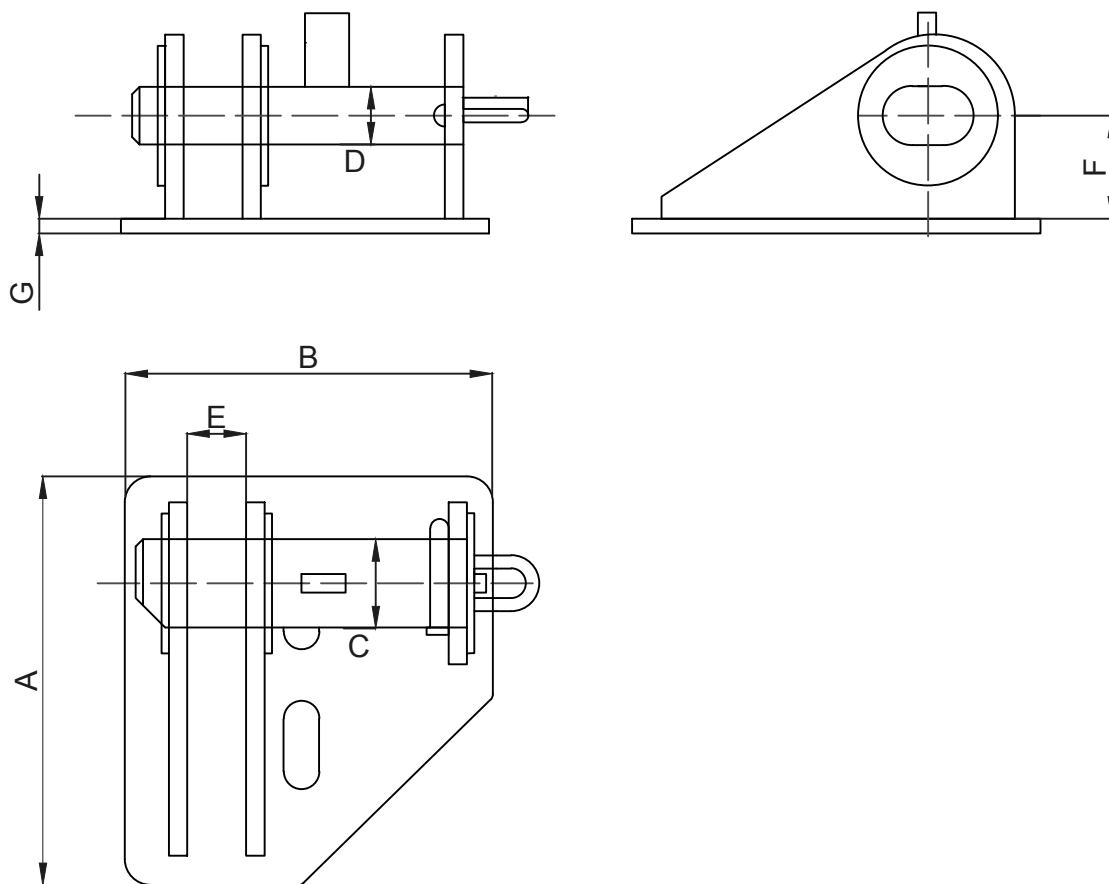


# SMIT BRACKET OCIMF TYPE



Smit Brackets OCIMF Type  
 Material: Q345B / 35CrMo  
 Finish: sand blasted + primer

Nominal dia (mm)	A	B	C	D	E	F	G	Mass (Kg)	SWL (kN)
38	415	370	88	58	60	100	16	58	500
54	555	500	118	78	80	140	20	118	1000
64	625	600	122	88	100	175	28	184	1500
76	800	720	170	112	110	200	30	312	2000
84	830	770	180	118	120	210	35	446	2500
102	1050	750	160	130	150	220	40	886	3200

Dimensions in mm, alternations may occur.



Lemans Nederland B.V.  
 Canadaweg 8  
 4661 PZ Halsteren  
 The Netherlands

Tel.: +31 (0)164 680097  
 Fax: +31 (0)164 681971  
 E-mail: [www.lemans-nederland.eu](mailto:www.lemans-nederland.eu)  
 Website: [www.lemans-nederland.nl](http://www.lemans-nederland.nl)