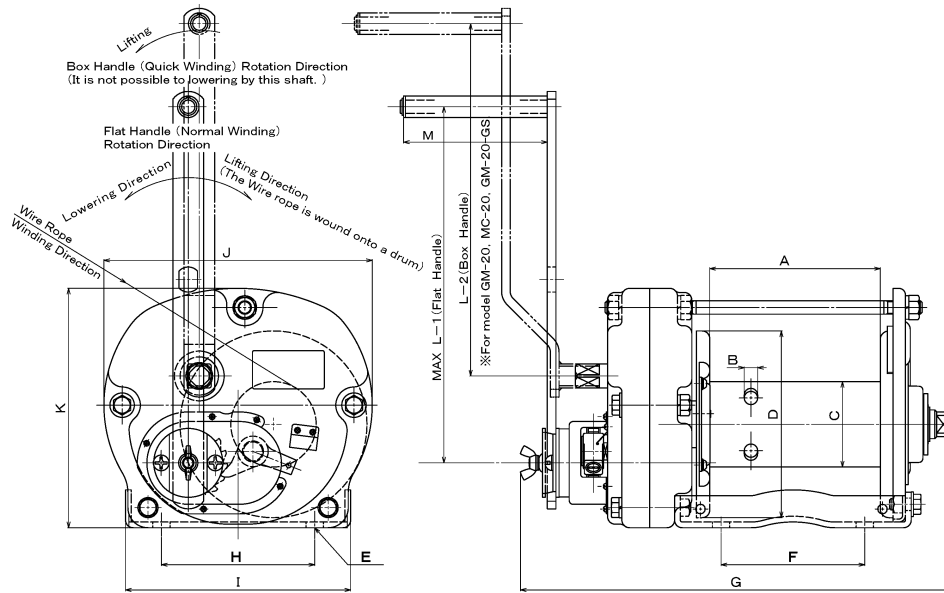




Model: MR-5-SI)
Steel Ratchet Winch (Painting)

Specifications and dimensions are for reference only and subject to change without notice.

Model	Wire rope tension for normal winding	Wire Rope Diameter	Drum Capacity (Meter)	Drum Capacity (Layer)	Handle Force (1st Layer)	Effective Handle Length	Gear Ratio for flat handle	Gear Ratio for box handle	Weight (Winch+Handle)
MR-1-SI	100kgf (4th Layer or Less)	ø5mm	35 m	6	14.6kgf	250mm	1 : 1		8.1 kg
MR-3-SI	300kgf (5th Layer or Less)	ø6mm	32 m	6	7.7kgf	250mm	6.25 : 1		15.0 kg
MR-5-SI	500kgf (5th Layer or Less)	ø6mm	40 m	6	11.1kgf	250mm	8.9 : 1		16.3 kg
MR-10-SI	1000kgf (3rd Layer or Less)	ø8mm	35 m	5	13.5kgf	300mm	12.6 : 1		17.3 kg
MR-20-SI	2000kgf (3rd Layer or Less)	ø9mm	38 m	5	16.0kgf	370mm	20 : 1		29.1 kg



Measurements (in mm): Specifications and dimensions are for reference only and subject to change without notice.

Model	A	B	C	D	E	F	G	H	I	J	K	L-1	L-2	M
MR-1-SI	120	9	ø60.5	ø130	4-ø10.5	100	291,9	100	126	197	157	250		150
MR-3-SI	120	9	ø60.5	ø150	4-ø10	100	362,6	160	192	210	210,5	250		150
MR-5-SI	135	11	ø76.3	ø175	4-ø12	105	378,4	160	192	210	210,5	250		150
MR-10-SI	170	11	ø76.3	ø175	4-ø15	140	427,4	160	192	210	210,5	300		150
MR-20-SI	178	14	ø89.1	ø195	4-ø18	150	475,6	160	235	280	250	370		150

