



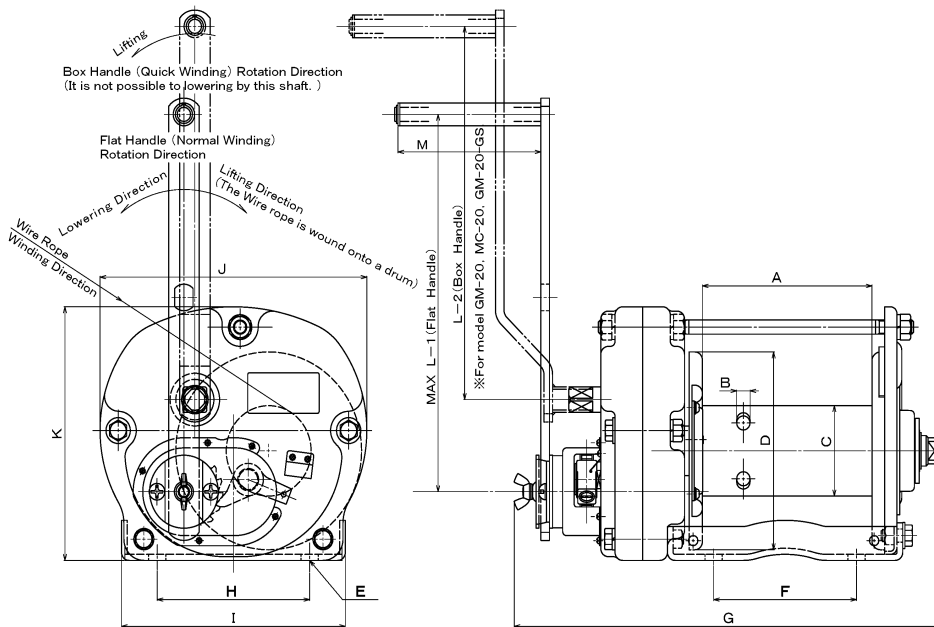
(Model: GM-5-SI)
Steel Rotating Winch (Painting)



(Model: GM-5-GS-SI)
Steel Rotating Winch
(Hot Dip Galvanizing)

Specifications and dimensions are for reference only and subject to change without notice.

Model	Wire rope tension for normal winding	Wire Rope Diameter	Drum Capacity (Meter)	Drum Capacity (Layer)	Handle Force (1st Layer)	Effective Handle Length	Gear Ratio for flat handle	Gear Ratio for box handle	Weight (Winch+Handle)
GM-1-SI	100kgf (4th Layer or Less)	ø5mm	35 m	6	14.6kgf	250mm	1 : 1		7.2 kg
GM-3-SI	300kgf (5th Layer or Less)	ø6mm	32 m	6	7.7kgf	250mm	6.25 : 1		14.1 kg
GM-5-SI	500kgf (5th Layer or Less)	ø6mm	40 m	6	11.1kgf	250mm	8.9 : 1		15.4 kg
GM-10-SI	1000kgf (3rd Layer or Less)	ø8mm	35 m	5	13.5kgf	300mm	12.6 : 1		16.4 kg
GM-20-SI	2000kgf (3rd Layer or Less)	ø9mm	38 m	5	16.0kgf	370mm	20 : 1	4 : 1	28.2 kg
GM-1-GS-SI	100kgf (4th Layer or Less)	ø5mm	35 m	6	14.6kgf	250mm	1 : 1		7.2 kg
GM-3-GS-SI	300kgf (5th Layer or Less)	ø6mm	32 m	6	7.7kgf	250mm	6.25 : 1		14.1 kg
GM-5-GS-SI	500kgf (5th Layer or Less)	ø6mm	40 m	6	11.1kgf	250mm	8.9 : 1		15.4 kg
GM-10-GS-SI	1000kgf (3rd Layer or Less)	ø8mm	35 m	5	13.5kgf	300mm	12.6 : 1		16.4 kg
GM-20-GS-SI	2000kgf (3rd Layer or Less)	ø9mm	38 m	5	16.0kgf	370mm	20 : 1	4 : 1	28.2 kg



Measurements (in mm): Specifications and dimensions are for reference only and subject to change without notice.

Model	A	B	C	D	E	F	G	H	I	J	K	L-1	L-2	M
GM-1-SI	120	9	ø60.5	ø130	4-ø10.5	100	265,9	100	126	197	157	250		150
GM-3-SI	120	9	ø60.5	ø150	4-ø10	100	336,6	160	192	210	210,5	250		150
GM-5-SI	135	11	ø76.3	ø175	4-ø12	105	352,4	160	192	210	210,5	250		150
GM-10-SI	170	11	ø76.3	ø175	4-ø15	140	401,4	160	192	210	210,5	300		150
GM-20-SI	178	14	ø89.1	ø195	4-ø18	150	449,6	160	235	280	250	370	368	150
GM-1-GS-SI	120	9	ø60.5	ø130	4-ø10.5	100	263,3	100	126	197	157	250		150
GM-3-GS-SI	120	9	ø60.5	ø150	4-ø10	100	334	160	192	210	210,5	250		150
GM-5-GS-SI	135	11	ø76.3	ø175	4-ø12	105	349,8	160	192	210	210,5	250		150
GM-10-GS-SI	170	11	ø76.3	ø175	4-ø15	140	398,8	160	192	210	210,5	300		150
GM-20-GS-SI	178	14	ø89.1	ø195	4-ø18	150	447	160	235	280	250	370	368	150