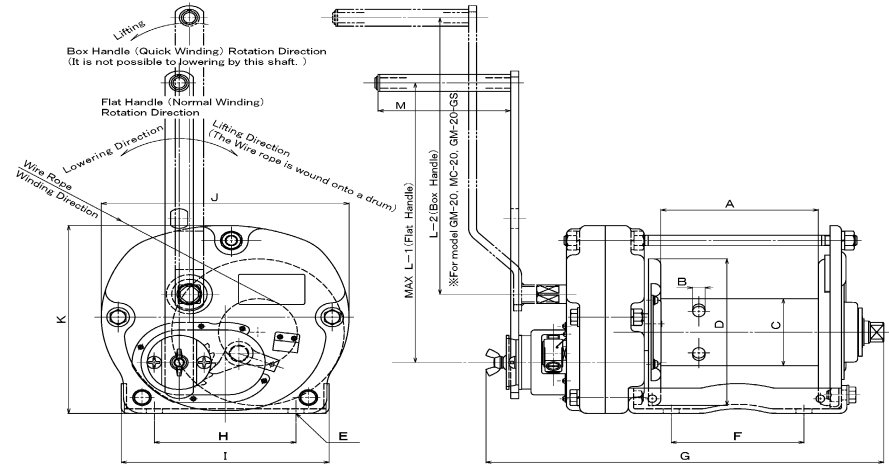




Model: ESB-5-SI
Stainless Steel Rotating Winch
(Electropolishing)

Specifications and dimensions are for reference only and subject to change without notice.

Model	Wire rope tension for normal winding	Wire Rope Diameter	Drum Capacity (Meter)	Drum Capacity (Layer)	Handle Force (1st Layer)	Effective Handle Length	Gear Ratio for flat handle	Gear Ratio for box handle	Weight (Winch+Handle)
ESB-1-SI	100kgf (4th Layer or Less)	ø5mm	35 m	6	14.6kgf	250mm	1 : 1		7.4 kg
ESB-3-SI	300kgf (5th Layer or Less)	ø6mm	32 m	6	7.7kgf	250mm	6.25 : 1		14.3 kg
ESB-5-SI	500kgf (5th Layer or Less)	ø6mm	40 m	6	11.1kgf	250mm	8.9 : 1		15.6 kg
ESB-10-SI	1000kgf (3rd Layer or Less)	ø8mm	35 m	5	13.5kgf	300mm	12.6 : 1		16.6 kg



Measurements (in mm): Specifications and dimensions are for reference only and subject to change without notice.

Model	A	B	C	D	E	F	G	H	I	J	K	L-1	L-2	M
ESB-1-SI	120	9	ø60.5	ø130	4-ø10.5	100	263,3	100	126	197	157	250		150
ESB-3-SI	120	9	ø60.5	ø150	4-ø10	100	334	160	192	210	210,5	250		150
ESB-5-SI	135	11	ø76.3	ø175	4-ø12	105	349,8	160	192	210	210,5	250		150
ESB-10-SI	170	11	ø76.3	ø175	4-ø15	140	384,8	160	192	210	210,5	300		150



Lemans Nederland B.V.
Canadaweg 8
4661 PZ Halsteren
The Netherlands

Tel.: +31 (0)164 680097
Fax: +31 (0)164 681971
E-mail: info@lemans-nederland.eu
Website: www.lemans-nederland.nl