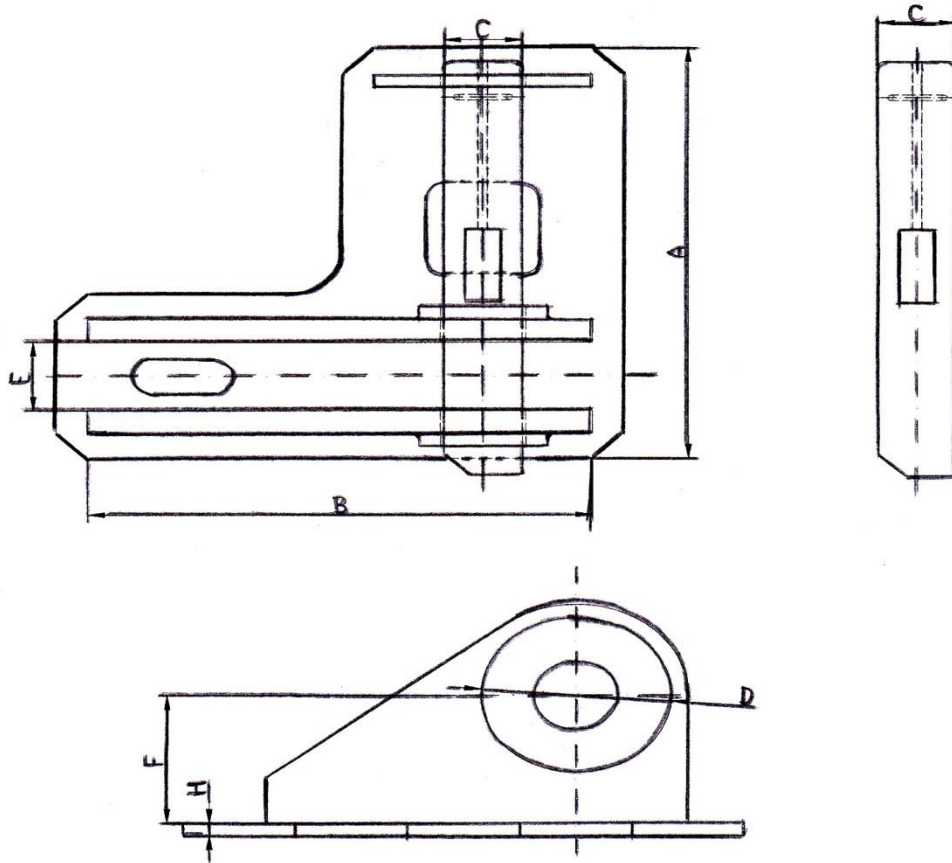


SMIT BRACKET JISF2029-1997



Article code	chain mm	A	B	C	D	E	F	H	Weight (kg)	SWL (T)
07001c	54	450	450	70	170	75	140	14	70	50
07002c	64	500	510	80	190	85	160	16	99	100
07003c	76	600	625	95	230	105	195	22	180	150
07004c	84	620	670	100	250	110	210	22	219	200