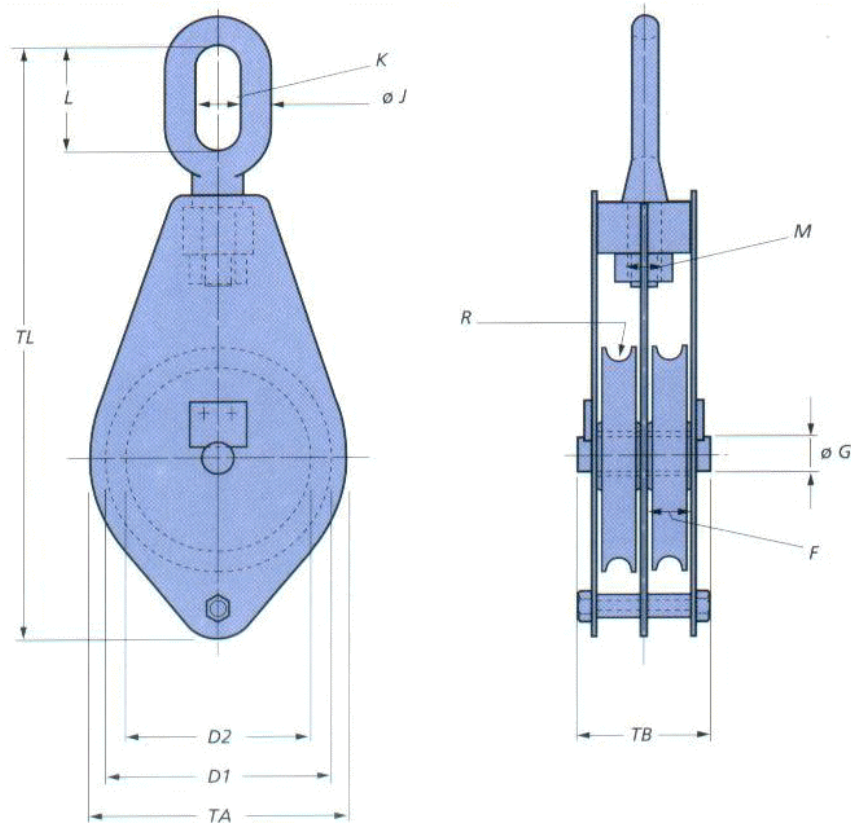


4.3.2. 2-SHEAVE BLOCKS



Type	WLL (tons)	Wire size up to (mm)	No. of sheaves	D1	D2	F	G	J	K	L	M	R	TA	TB	TL	Weight (kg)
11.100.01.20	1	8	2	100	80	20	15	16	26	58	18	4	110	71	295	4
11.125.02.20	2	10	2	125	105	27	22	16	26	58	24	5	135	88	335	6
11.150.03.20	3	12	2	150	120	40	30	21	32	72	30	6	170	130	414	11
11.200.04.20	4	14	2	200	165	40	30	26	40	94	33	7	220	130	521	18
11.250.06.20	6	18	2	250	210	45	35	29	45	108	42	9	270	143	613	32
11.300.08.20	8	20	2	300	255	50	40	32	49	115	45	10	320	156	695	43
11.350.10.20	10	22	2	350	305	50	45	36	54	125	52	11	380	163	770	74
11.350.12.20	12	22	2	350	305	60	50	41	60	144	56	11	380	190	830	81
11.400.12.20	12	24	2	400	345	60	50	41	60	144	56	12	430	190	900	102
11.350.16.20	16	22	2	350	305	60	50	46	66	163	64	11	380	196	894	98
11.400.16.20	16	24	2	400	345	60	50	46	66	163	64	12	430	196	940	126
11.350.20.20	20	22	2	350	305	60	60	51	72	173	72	11	380	202	910	116
11.400.20.20	20	24	2	400	345	60	60	51	72	173	72	12	430	202	975	146
11.400.25.20	25	24	2	400	345	65	65	60	80	195	76	12	430	221	1055	169
11.450.25.20	25	28	2	450	390	65	65	60	80	195	76	14	480	221	1085	190
11.400.30.20	30	24	2	400	345	70	65	60	90	220	80	12	430	230	1080	184
11.450.30.20	30	28	2	450	390	70	65	60	90	220	80	14	480	230	1125	204
11.450.40.20	40	28	2	450	390	70	80	-	-	-	90	14	480	264	930	225

Measurements in mm, alternations may occur

WLL = Working Load limit on head fitting.

All blocks up to 30 tons are standard supplied with swivel oval eye, for over 30 tons with swivel stud eye.

For ordering wire ropes blocks

All blocks up to 30 tons are standard supplied with swivel oval eye, for over 30 tons with swivel stud eye.

For ordering wire ropes blocks with becket, the digit of the Type number should be 1 (instead of 0).

Standard supplied with bronze bearings, other bearings available on request.