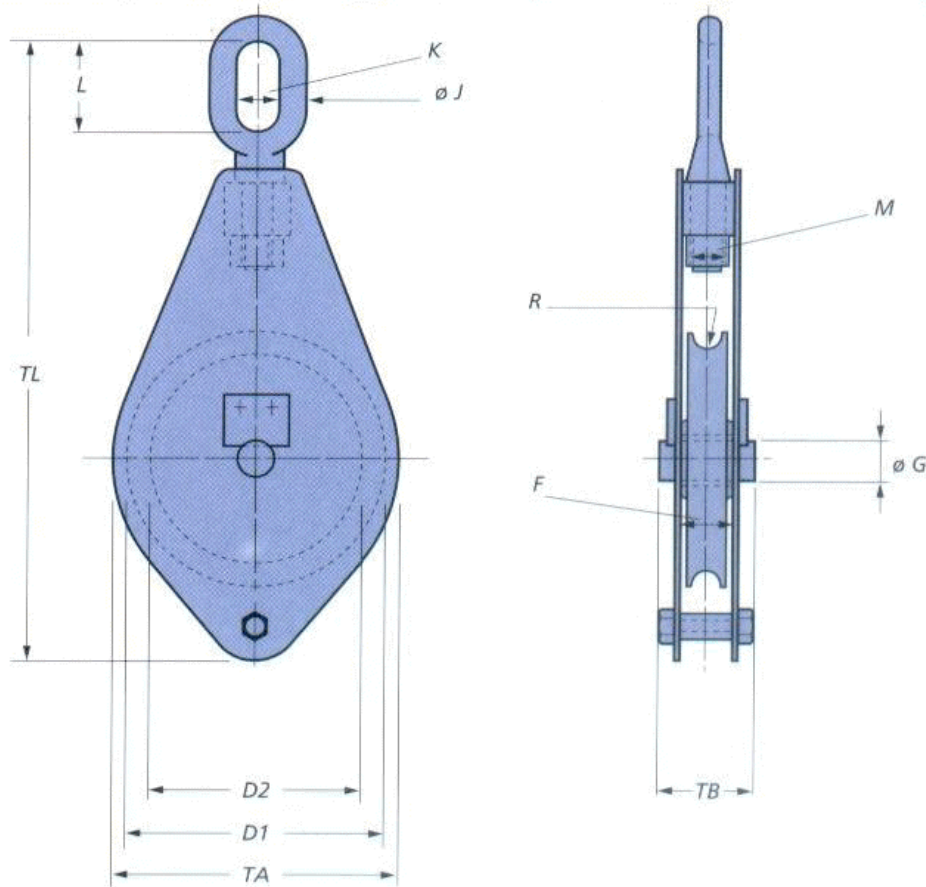


4.3.1. 1-SHEAVE BLOCKS



Type	WLL (tons)	Wire size up to (mm)	No. of sheaves	D1	D2	F	G	J	K	L	M	R	TA	TB	TL	Weight (kg)
11.100.00.10	0.75	8	1	100	80	20	15	12	21	48	12	4	110	45	265	2
11.125.01.10	1	10	1	125	105	27	22	16	26	58	18	5	135	53	312	3
11.150.02.10	2	12	1	150	120	40	30	16	26	58	24	6	170	84	382	6
11.200.03.10	3	14	1	200	165	40	30	21	32	72	27	7	220	84	475	10
11.250.04.10	4	18	1	250	210	45	35	26	40	94	33	9	270	91	546	18
11.300.06.10	6	20	1	300	255	50	40	29	45	108	42	10	320	98	678	27
11.350.08.10	8	22	1	350	305	50	45	32	49	115	45	11	380	102	750	44
11.400.10.10	10	24	1	400	345	60	50	36	54	125	52	12	430	120	830	60
11.350.10.10	10	22	1	350	305	60	50	36	54	125	52	11	380	120	790	50
11.350.12.10	12	22	1	350	305	65	55	41	60	144	56	11	380	129	841	59
11.400.12.10	12	24	1	400	345	65	55	41	60	144	56	12	430	129	916	75
11.350.16.10	16	22	1	350	305	65	70	46	66	163	64	11	380	129	905	69
11.400.16.10	16	24	1	400	345	70	70	46	66	163	64	12	430	134	950	81
11.400.20.10	20	24	1	400	345	70	80	51	72	173	72	12	430	138	985	97
11.450.30.10	20	28	1	450	390	70	80	51	72	173	72	14	480	156	1045	109
11.450.25.10	25	28	1	450	390	70	100	60	80	195	76	14	480	156	1095	130
11.450.30.10	30	28	1	450	390	75	110	60	90	220	80	14	480	165	1140	150

dimensions in mm, alternations may occur

WLL = Working Load limit on head fitting.

All blocks up to 30 tons are standard supplied with swivel oval eye, for over 30 tons with swivel stud eye.

For ordering wire ropes blocks

All blocks up to 30 tons are standard supplied with swivel oval eye, for over 30 tons with swivel stud eye.

For ordering wire ropes blocks with becket, the digit of the Type number should be 1 (instead of 0).

Standard supplied with bronze bearings, other bearings available on request.